

Add. equipment

Housing-Material: EN-JS 1049

Connections:

- Flanges DN 15-50, acc. DIN EN 1092-2, PN40
- Flanges 1/2"-1"+ 2", acc. ANSI B 16.5, Class 150
- Female thread G 3/4" (BSP) acc. DIN ISO 228-1
- Female thread 3/4" NPT acc. ANSI B 1.20.1
- Other connections on request

Nominal pressure stage: PN 16

Operation-Limits:

Operating pressure (in bar g)	16	14,7	12,8
max. operating temperature (°C)	-10/120	200	300

Media: Water vapour.

Function: Increasing level opens and decreasing level closes the outlet without delay, independent of pressure and temperature fluctuations.

Operation of automatic venting device: For start-up and permanent venting with high venting capacity. An alcoholic liquid inside the membrane capsule evaporates and condenses due to temperature changes.

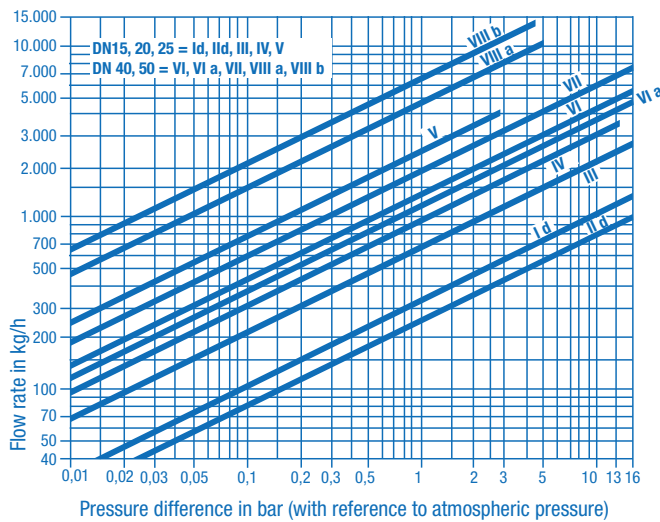
Special characteristics: Only one movable point since the rotary-slide-valve is both swivel joint and shut-off device.

Installation: Horizontal installation.

Accessoires at additional cost:

- Drainplug
- Non return check valve in outlet flange
- Blow-off valve
- Gaskets made of nonferrous metal
- Control valve instead of control screw
- Lifting lever

Performanc



For hot condensate the flow rate is lower because of medium temperature and density.

CE - Mark:

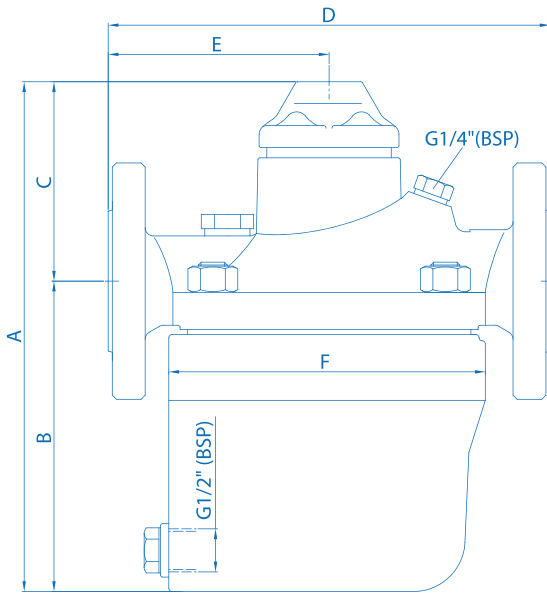
The pressure equipment described is a pressure-keeping component in accordance with the Pressure Vessel Directive 97/23/EC.
 DN15-25: acc. Art.3, Subs.3 no CE.
 DN40/50: Conformity through the identifying mark CE0525

Float control cross-section	Max. line pressure in bar g
IId	16
IIId	16
III	13
IV	11
V	2,5
VI	16
VIa	16
VII	16
VIIIa	4
VIIIb	4

Please state the following when making inquiries / placing orders:

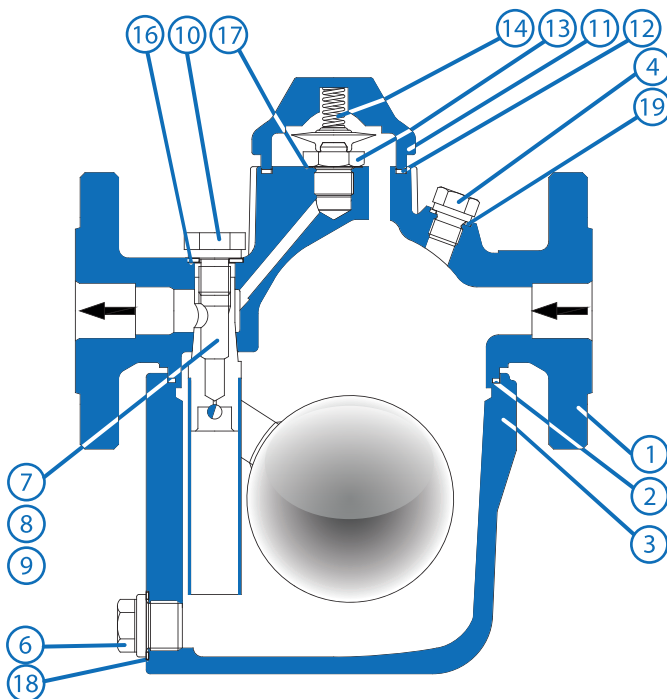
Medium, density, initial pressure, counter-pressure, temperature, quantity of condensation (kg/h).

Dimensions (in mm), Weight (in kg)



DN	15	20	25	40	50
A	250	250	250	350	350
B	150	150	150	220	220
C	100	100	100	130	130
D	215	215	215	320	320
E	108	108	108	160	160
F	154	154	154	230	230
Weight	11	11,5	12	27	28

Spare Parts



- 1 **Upper housing:** EN-JS 1049
- 2 **Housing gasket:** Copper/soft iron*
- 3 **Lower housing:** EN-JS 1049
- 4 **Control screw:** 1.4104
- 5 **Set of stud bolts and nuts:** DIN 939/ISO4032 (not visible)
- 6 **Drain plug:** DIN 910 - 5.8 - G 1/2" (BSP)
- 7 **Float control assembly complete**:**
1.4057/1.4112/1.4301 oder 1.4571*
- 8 **Complete supporting body**:**
1.4057/1.4112/1.4301 oder 1.4571*
- 9 **Float:** 1.4301/1.4571*
- 10 **Support bolt:** 1.4104
- 11 **Housing cover:** EN-JS 1049
- 12 **Cover gasket:** Novaphite
- 13 **Valve:** 1.4104/stainless steel/R100
- 14 **Spring:** 1.4310
- 15 **Hexagonal socket-head screw:** ISO 4762 - A4-70 - M8 (not visible)
- 16 **Support screw gasket:** Copper/soft iron*
- 17 **Valve gasket:** Soft iron
- 18 **Drain plug gasket:** Soft iron
- 19 **Control screw gasket:** Copper/soft iron*

* depending on operating conditions

** Due to sealing requirements marked items cannot be supplied as individual parts.

To ensure correct parts delivery, please specify part number, works standard sheet number 1004, DN, and for spare parts of control components the cross-section.