

Housing material: P235GH-TC1, P250GH, P265GH

Nominal diameter: DN15, DN20, DN25, DN40, DN50

Connections:

- Flanges DN 15-50, acc. DIN EN 1092-1, PN40
- Flanges 1/2"-2", acc. ANSI B 16.5, Class 150 & 300
- Female thread G 1/2"-1" (BSP) acc. DIN ISO 228-1
- Female thread 1/2"-1" NPT acc. ANSI B 1.20.1
- Other connections on request

Nominal pressure stage: PN 40

Housing operation-limits:

Max. operating pressure in bar g	40	28	25
Max. operating temperature in °C	100	250	300

Function: The float control assembly discharges air and gases from all liquid carrying systems without time lag, independent of pressure and temperature variations. With the float in the lower position the outlet cross-section is open. Air and gases escape through the upturned immersion tube. Rising of the liquid level lifts the float and causes to close the outlet.

Special features: Only one movable point since the swivel pin acts also as rotary shut-off valve.

Additional equipment against extra price:

- Housing screws made of A4-70
- Non-ferrous metal gaskets
- Float control assembly for special operating conditions
- Locking screw on top of housing

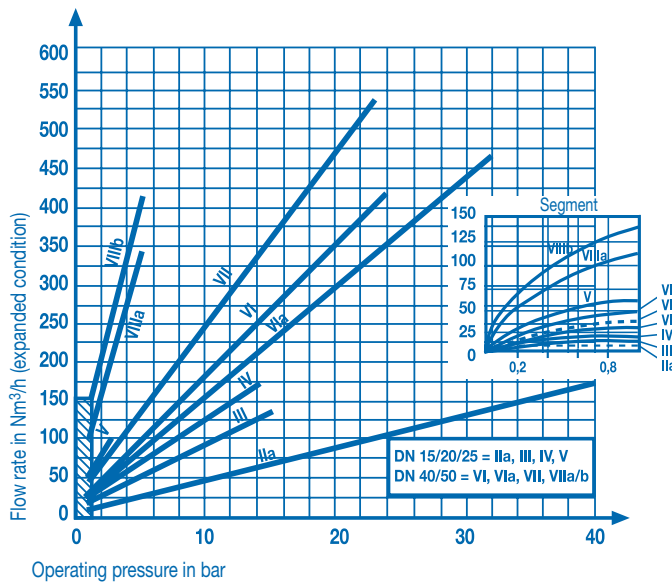
Installation:

Entry from below, lateral exit at highpoint in system.

Functions-limit:

Cross-section	max. line pressure in bar g
IIa	32
III	13
IV	11
V	2,5
VIa	17
VII	16
VIIIa	4
VIIIb	4

Performance



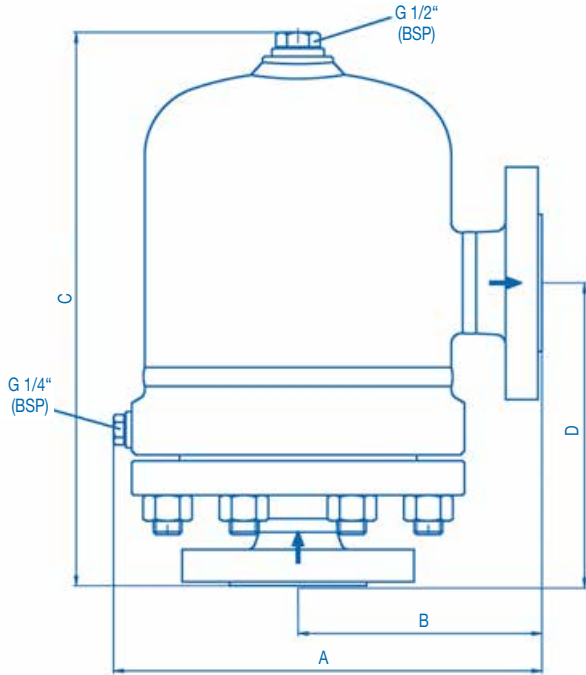
The performance diagram applies to venting into atmosphere, i. e. without back pressure. The performance values apply to normal air expansion. The performance value of air being under pressure is determined by dividing the value of the diagram by operating pressure.

CE-Mark:

The pressure equipment described is a pressure-keeping component in accordance with the Pressure Vessel Directive 97/23/EC.
 DN 15-25: acc. art3, sub3, no CE-mark.
 DN 40/50: Conformity through the identifying mark CE0525.

Please state the following when making inquiries/placing orders:

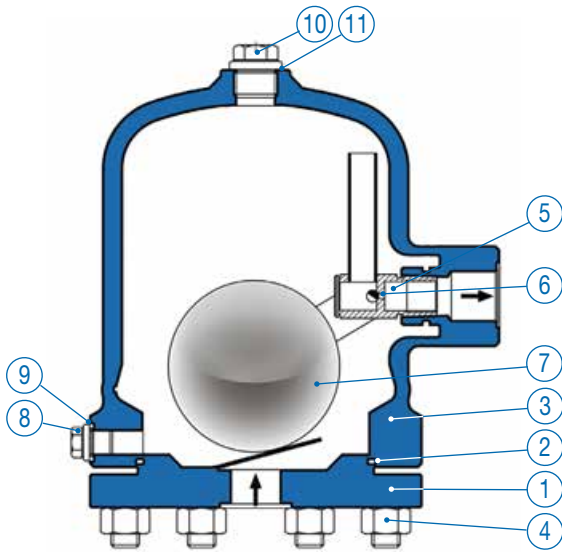
Medium, density, initial pressure, counter-pressure, temperature, quantity of condensation (Nm³/h).



Dimensions (in mm), Weight (in kg)

DN	Thread			Flanges				
	1/2"	3/4"	1"	DN 15	DN 20	DN 25	DN 40	DN 50
A	215	215	215	215	215	215	295	300
B	120	120	120	120	120	120	167	172
C	210	210	210	255	255	255	330	340
D	105	105	105	150	150	150	185	190
Weight	10,5	10,5	10,5	12	12,5	13	29,5	31,5

Spare Parts



- 1 **Housing cover:** P250GH
- 2 **Housing gasket:** Copper/soft iron*
- 3 **Housing pot:** P235GH-TC1, P250GH, P265GH
- 4 **Set of stud bolts and nuts:** DIN 938 / ISO 4032
- 5 **Float control unit**:** 1.4057, 1.4301, 1.4112 oder 1.4571*
- 6 **Support assembly**:** 1.4057, 1.4301, 1.4112 oder 1.4571*
- 7 **Float:** 1.4301 or 1.4571*
- 8 **Locking screw:** G 1/4" (BSP) - 1.4104
- 9 **Locking screw gasket:** Copper/soft iron*
- 10 **Control screw:** G 1/2" (BSP) - 5.8
- 11 **Control screw gasket:** Cu/soft iron*

To ensure correct parts delivery, specify part number, works standard sheet number 8281, DN and for control components the cross-section.

* Depending on operating conditions

** Due to sealing requirements, marked items cannot be supplied as individual parts